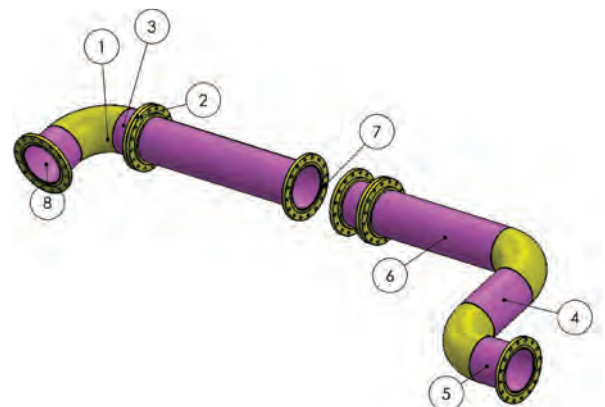
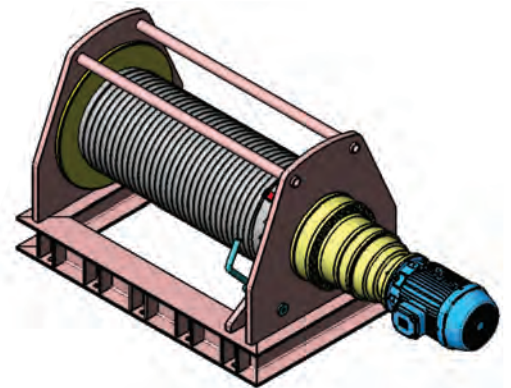


ENGINEERING & DESIGN SERVICES

At Kerr Engineering we have gained extensive experience developing engineered solutions for a diverse range of clients. As a manufacturer ourselves, we have the experience and understanding of the competing demands affecting the decision process.

As such we work closely with our clients and discuss all potential options to ensure the agreed solution is optimised to meet their key requirements and provides an efficient, cost-effective solution.

With a team of in-house engineers supported by advanced CAD design systems and CFD/3D analysis software, we have the capability to develop a solution from initial concept through to a completed product.



28 Alacrity Place Henderson WA 6166
Phone **(08) 9361 3449**
Email sales@kerrengineering.com.au



*With a team of in-house engineers,
we have the capability to develop
a solution from initial concept through
to a completed product.*

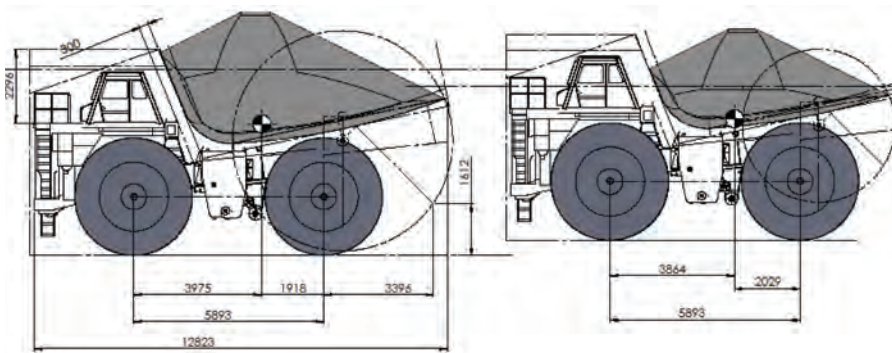


ENGINEERING & DESIGN SERVICES

Our designs and calculations are checked and independently verified where required as a part of our quality assurance procedures to ensure they comply with all of the relevant standards along with any additional regional or site specific requirements.

As our engineering team works alongside our workshop, production efficiency is an integral part of our proposals which ensures costs are controlled and completion times are minimised.

Our design procedures apply to all of our projects regardless of whether you are looking for a specific one-off solution, batch production of components, or complete manufacture and assembly.



28 Alacrity Place Henderson WA 6166
Phone **(08) 9361 3449**
Email sales@kerrengineering.com.au

