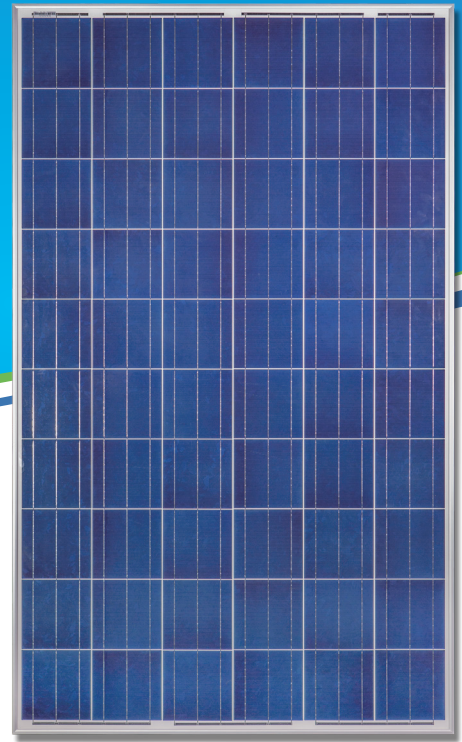


GCL-P6/60

HIGH EFFICIENCY
MULTICRYSTALLINE MODULE

• GCL-P6/60 275 Watt



Superior performance and high efficiency
due to advanced PERC technology



PID free



Snail trails free



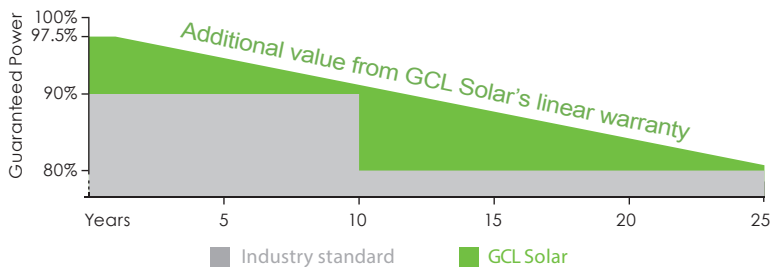
Highly resistant to sand, acid and alkali



Excellent weak light performance

LINEAR PERFORMANCE WARRANTY

10 YEARS PRODUCT WARRANTY • 25 LINEAR POWER WARRANTY



275^W
MAXIMUM POWER OUTPUT

16.9%
MAXIMUM MODULE EFFICIENCY

0~+5^W
POWER OUTPUT GUARANTEE

GCL SYSTEM INTEGRATION <http://en.gclsi.com>



Bringing Green Power to Life

GCL-P6/60

HIGH EFFICIENCY MULTICRYSTALLINE MODULE

ELECTRICAL SPECIFICATION (STC)

Peak Power Watts	P _m (W)	275
Power Output Tolerance	P _m (%)	0~+5
Maximum Power Voltage	V _m (V)	31.4
Maximum Power Current	I _m (A)	8.76
Open Circuit Voltage	V _{oc} (V)	38.5
Short Circuit Current	I _{sc} (A)	9.38
Module Efficiency	(%)	16.9

Values at Standard Test Conditions STC (Air Mass AM1.5, Irradiance 1000W/m², Cell Temperature 25° C).

ELECTRICAL DATA (NOCT)

Maximum Power	P _m (W)	192
Power Output Tolerance	P _m (%)	0~+5
Maximum Power Voltage	V _m (V)	27.8
Maximum Power Current	I _m (A)	6.94
Open Circuit Voltage	V _{oc} (V)	35.1
Short Circuit Current	I _{sc} (A)	7.46

NOCT: Irradiance at 800W/m², Ambient Temperature 20° C, Wind Speed 1m/s.

MECHANICAL DATA

Solar Cells	Poly 156x156mm (6 inches)
Cell Orientation	60 Cells (6x10)
Module Dimensions	1640x992x40/35mm (64.56 x 39.05 x 1.57/1.38 inches)
Weight	18.5KG
Glass	High transparency solar glass 3.2mm (0.13 inches)
Backsheet	White
Frame	Anodized aluminium alloy
J-Box	IP65/IP67 Rated
Cables	4.0mm ² (0.006 inches ²), 900mm (35.4 inches)
Connector	Original MC4 or Compatible

TEMPERATURE RATINGS

Nominal Operating Cell Temperature (NOCT)	45±2°C
Temperature Coefficient of P _{MAX}	-0.43% /°C
Temperature Coefficient of V _{oc}	-0.35% /°C
Temperature Coefficient of I _{sc}	0.04% /°C

MAXIMUM RATINGS

Operational Temperature	-40~+85°C
Maximum System Voltage	1000V DC(IEC)
Max Series Fuse Rating	15A

WARRANTY

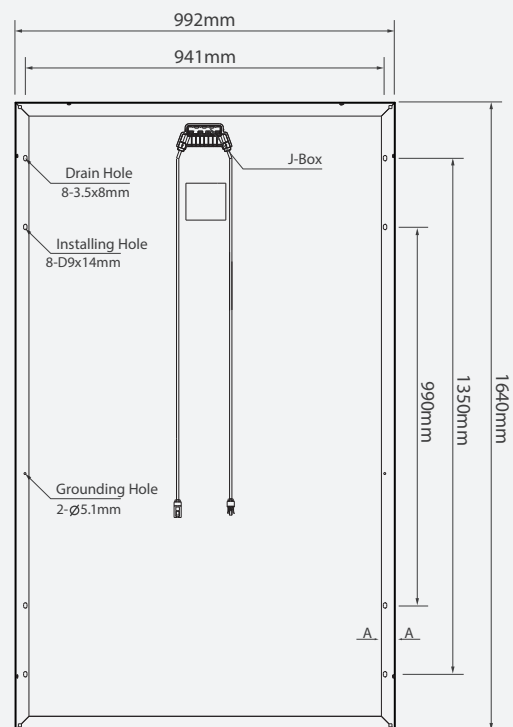
10 years Product Workmanship Warranty
25 years linear Power Warranty

(Please refer to GCL standard warranty for details)

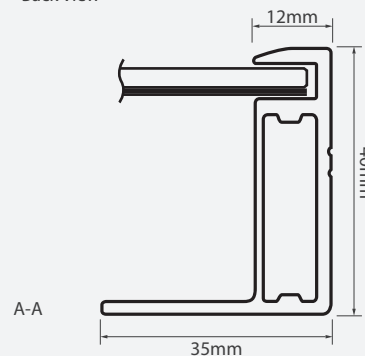
PACKAGING CONFIGURATION

Modules per box: 26 pieces
Modules per 40' container: 728 pieces

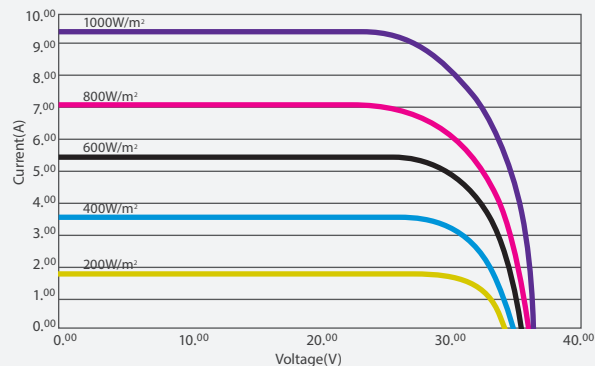
MODULE DIMENSION



Back View



I-V CURVES OF MODULE (275W)



Excellent performance under weak light conditions: at an irradiation intensity of 200W/m² W/m(AM 1.5, 25° C), 95.5% or higher of the STC efficiency (1000 W/m²) is achieved



Bringing Green Power to Life

GCL-201601-V2

CAUTION: READ INSTALLATION MANUAL BEFORE USING THE PRODUCT

©2015 GCL System Intergration Technology Co., Ltd. All rights reserved. Specifications included in this datasheet are subject to change without notice.