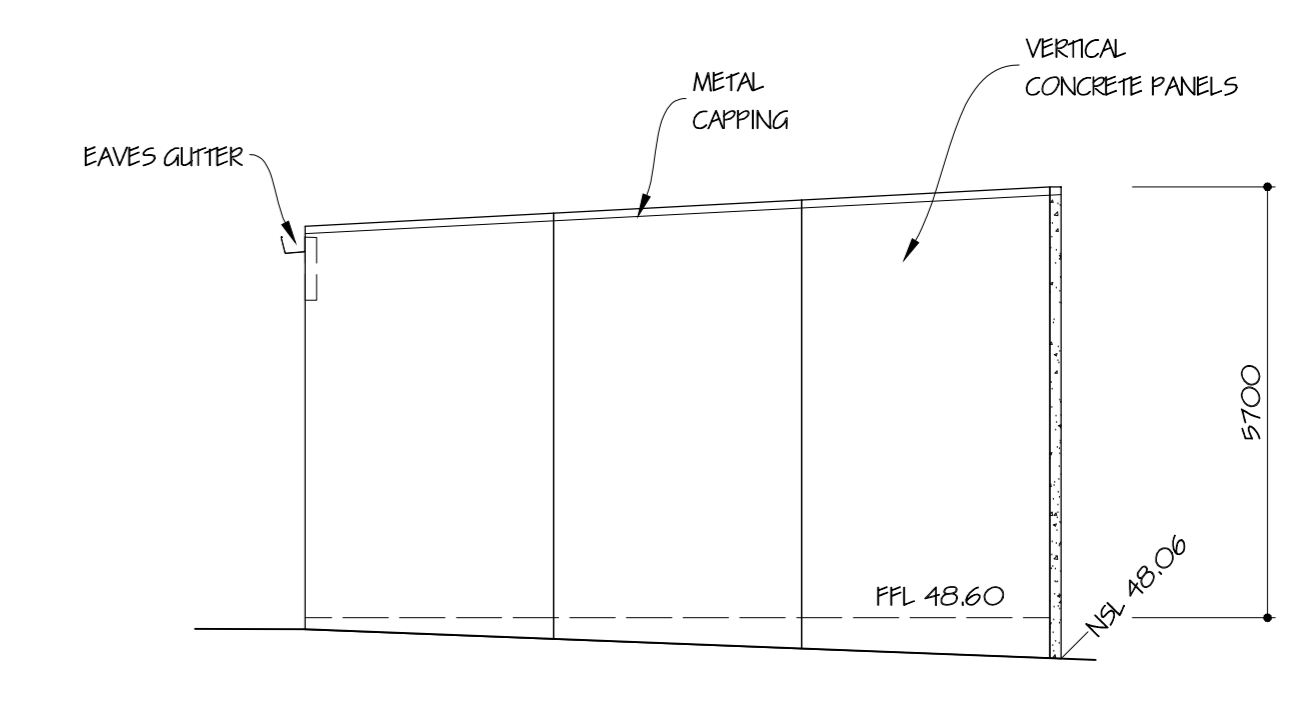
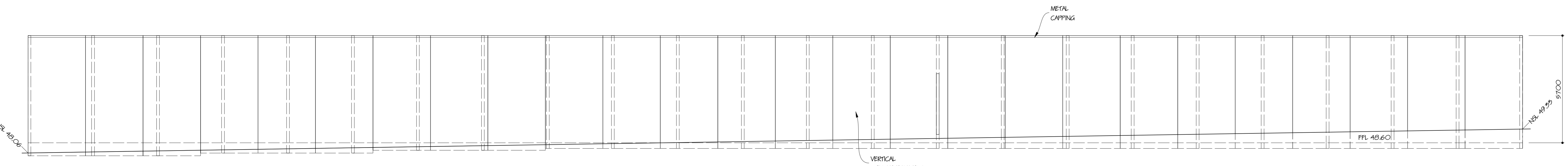


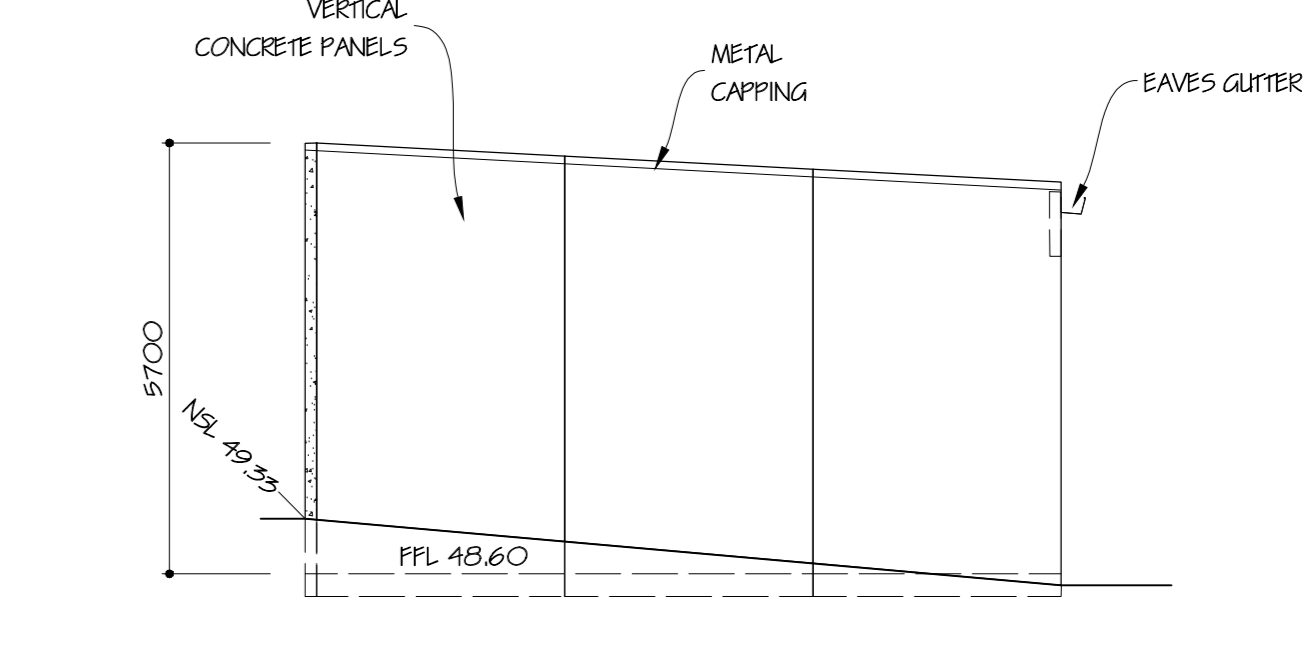
WESTERN ELEVATION (TYPE 1)



SOUTHERN ELEVATION (TYPE 1)

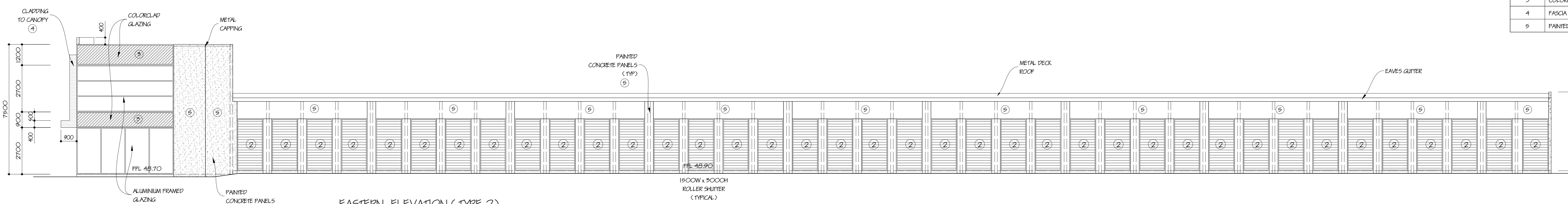


EASTERN ELEVATION (TYPE 1)

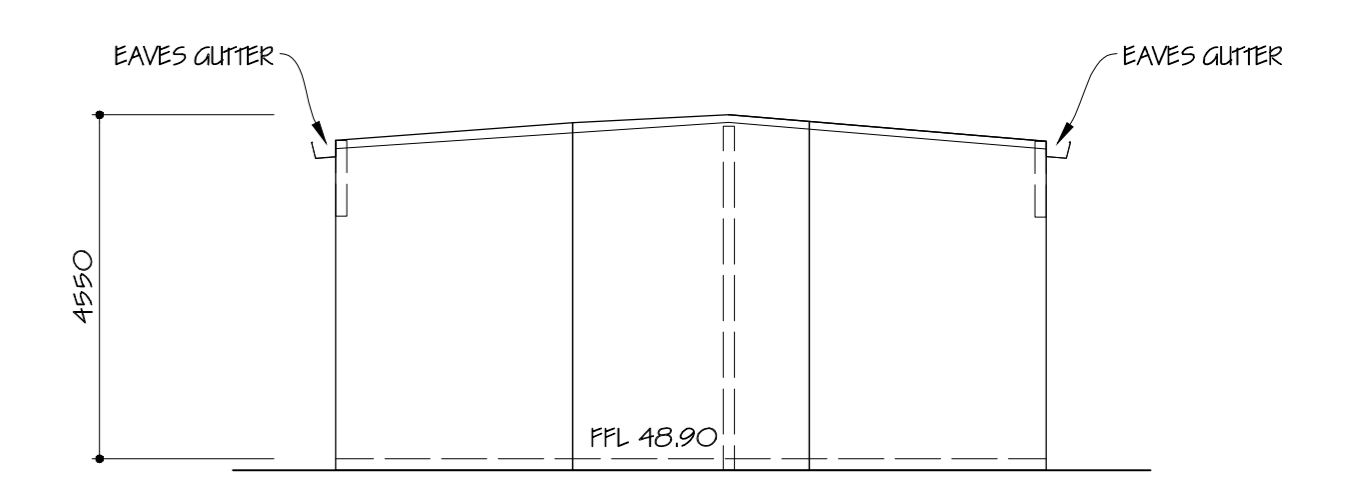


NORTHERN ELEVATION (TYPE 1)

COLOUR SCHEDULE		
MARK	LOCATION	SCHEME
1	WALL CLADDING	IRONSTONE (COLORBOND)
2	ROLLER SHUTTER DOORS	WINDSPRAY (COLORBOND)
3	COLORCLAP GLAZING	TRANQUIL RETREAT
4	PASCA CLADDING	WHITE MONOCLAP (COLORBOND)
5	PAINTED CONCRETE PANELS	EMBLESS DISK (DULUX)



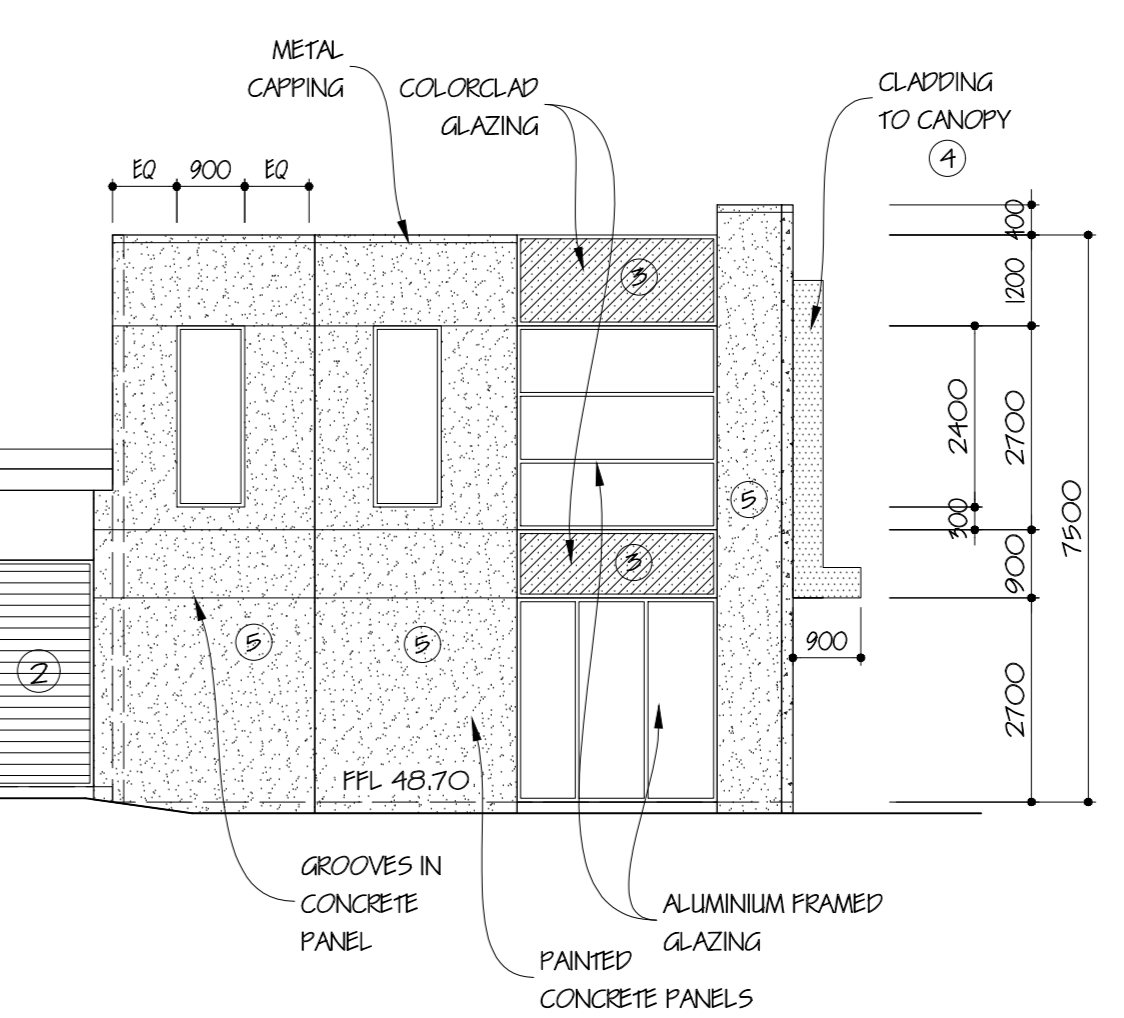
EASTERN ELEVATION (TYPE 2)



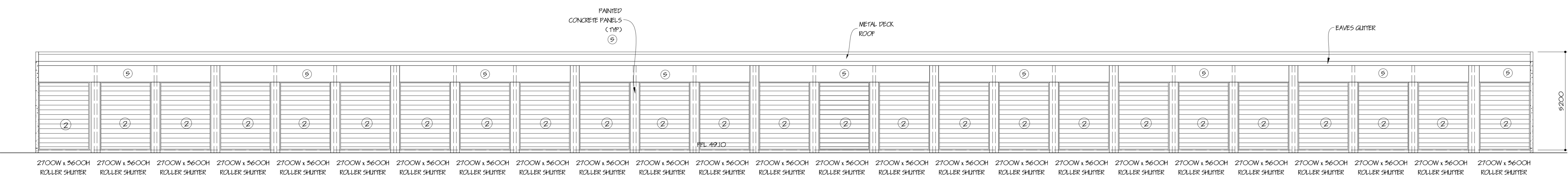
TYPE 2 NORTHERN ELEVATION



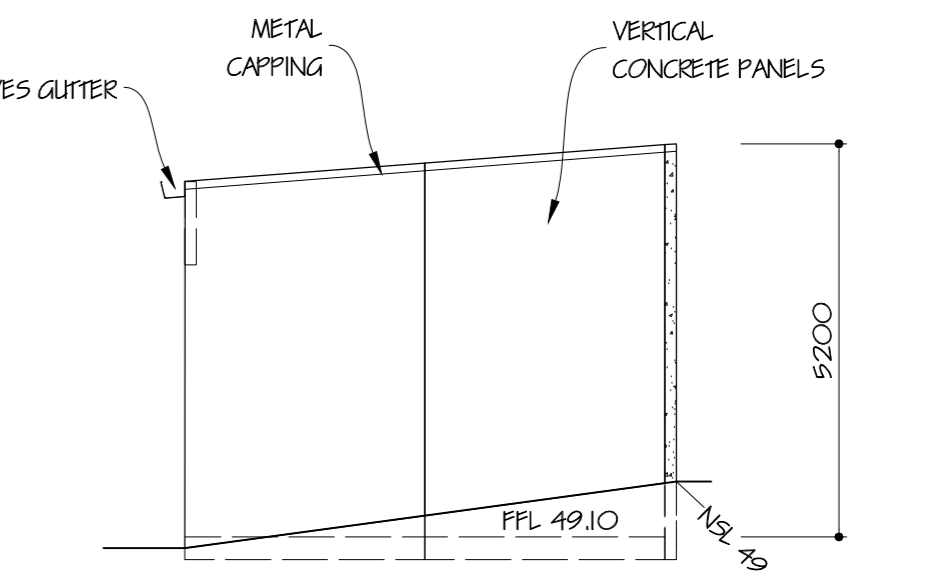
WESTERN ELEVATION (TYPE 3)



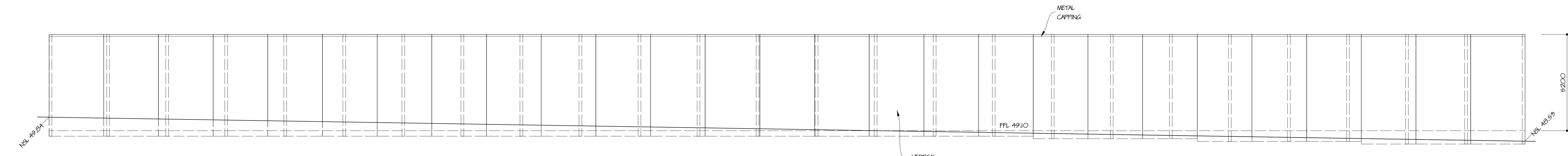
SOUTHERN ELEVATION (OFFICE)



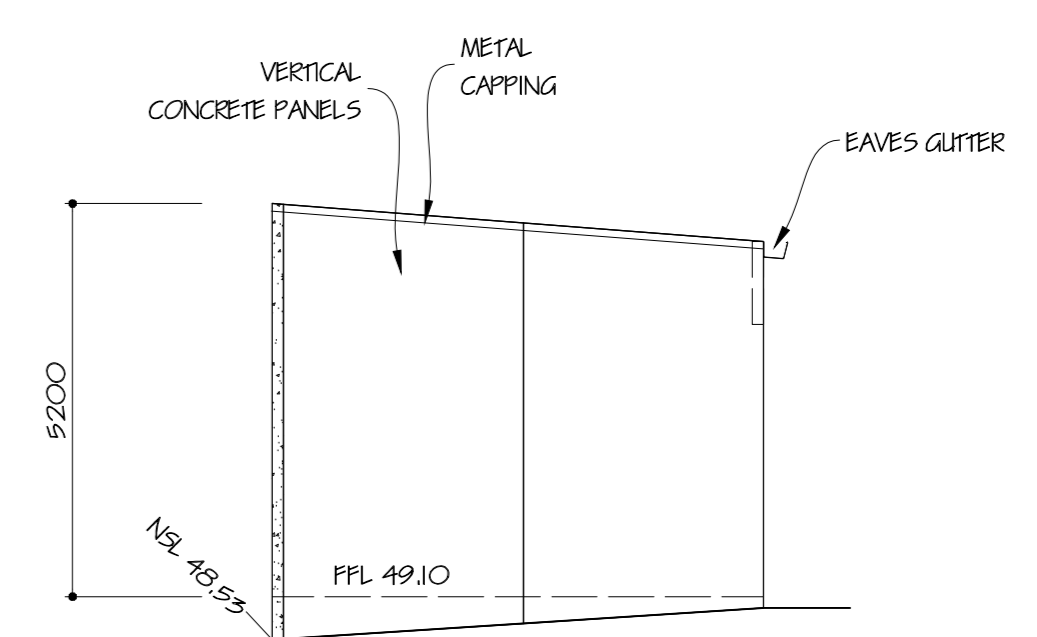
EASTERN ELEVATION (TYPE 4)



NORTHERN ELEVATION (TYPE 4)



WESTERN ELEVATION (TYPE 4)



SOUTHERN ELEVATION (TYPE 4)

**PRELIMINARY ISSUE  
NOT FOR CONSTRUCTION**

REVISION

All levels and dimensions in this document are in millimeters unless otherwise stated. This document is copyright and is supplied on the condition that it is not to be used for any other purpose or copied or committed to any other person without the prior written permission of Stephen D'Andrea Pty. Ltd.

**STEPHEN D'ANDREA** PTY. LTD.  
A.C.N. 005 676 588  
SUITE 9 / 84 - 90 LAKEWOOD BOULEVARD  
BRASSIE 3195  
TELEPHONE 9587 5000  
FAX 9588 2020  
MOBILE (0418) 314 021  
EMAIL design@stephendandrea.com.au  
WEB SITE www.stephendandrea.com.au

PROJECT  
PROPOSED STORAGE & OFFICE  
AT LOT 12 MULCAHY ROAD,  
PAKENHAM.

CLIENT

DATE: JUNE '20 SCALE: 1:100

DRAWN: TN SHEET: 4 OF

DRG No: 6126/20 AO ISSUE