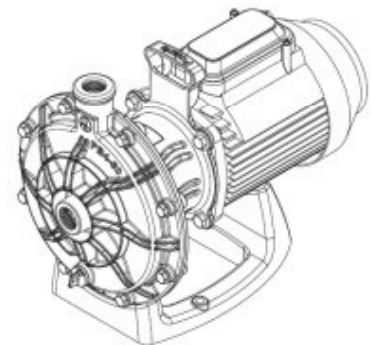


Polaris® PB4-50B Booster Pump



An independent
water pressure
system for pressure
powered pool
cleaners



The new and improved PB4-50B booster pump delivers high-performance power, quiet operation, and Polaris durability. The PB4-50B is the power behind Polaris.

For over 20 years Polaris pressure pumps have been the benchmark for powerful Polaris cleaner performance. Polaris pressure pumps are specifically designed to operate your cleaner at Optimum Cleaning Efficiency. The compact, rugged design allows for maximum performance.

A strong 1.5 horsepower motor.

New and improved-Easy pump seal replacement.

Heavy duty single piece base.

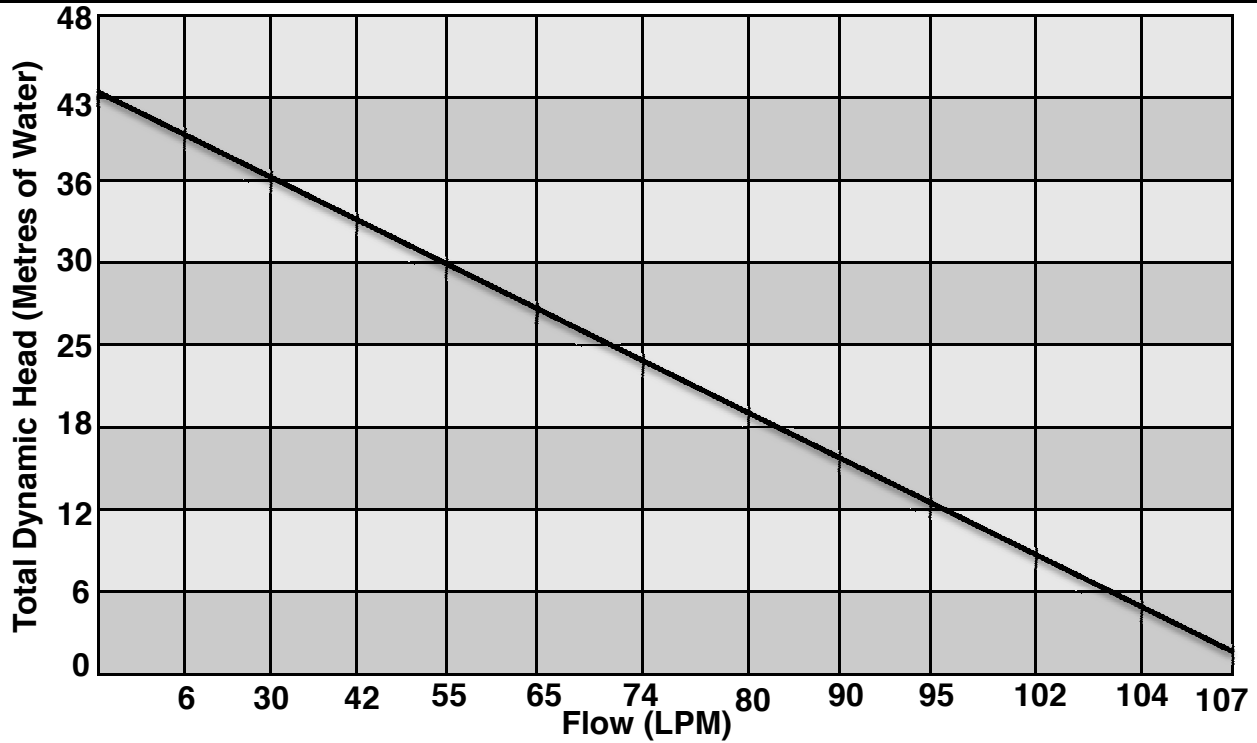
Captured back plate nut fasteners.


Ergonomic drain plug with o-ring. and easy-carry handle

New larger volute seal o-ring

Product Specifications

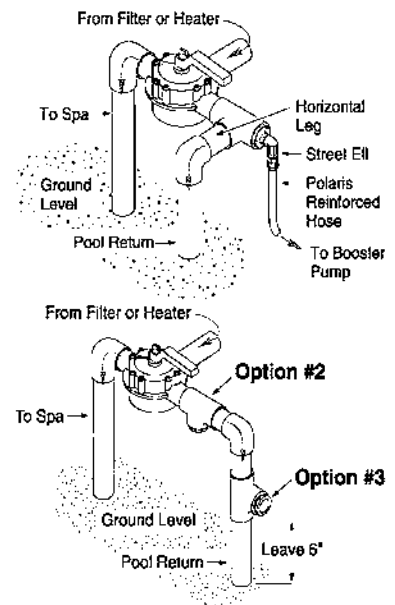
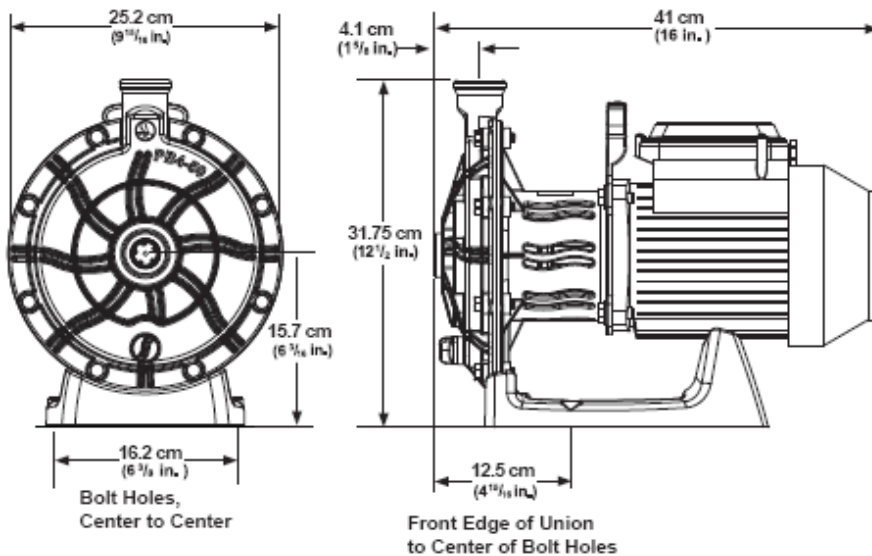
Model No.	HP	Voltage	Hz	Input Power (Watts)	Full Load (A)	Weight
W4320000B	1.5	240	50	1500	6.6	14kg

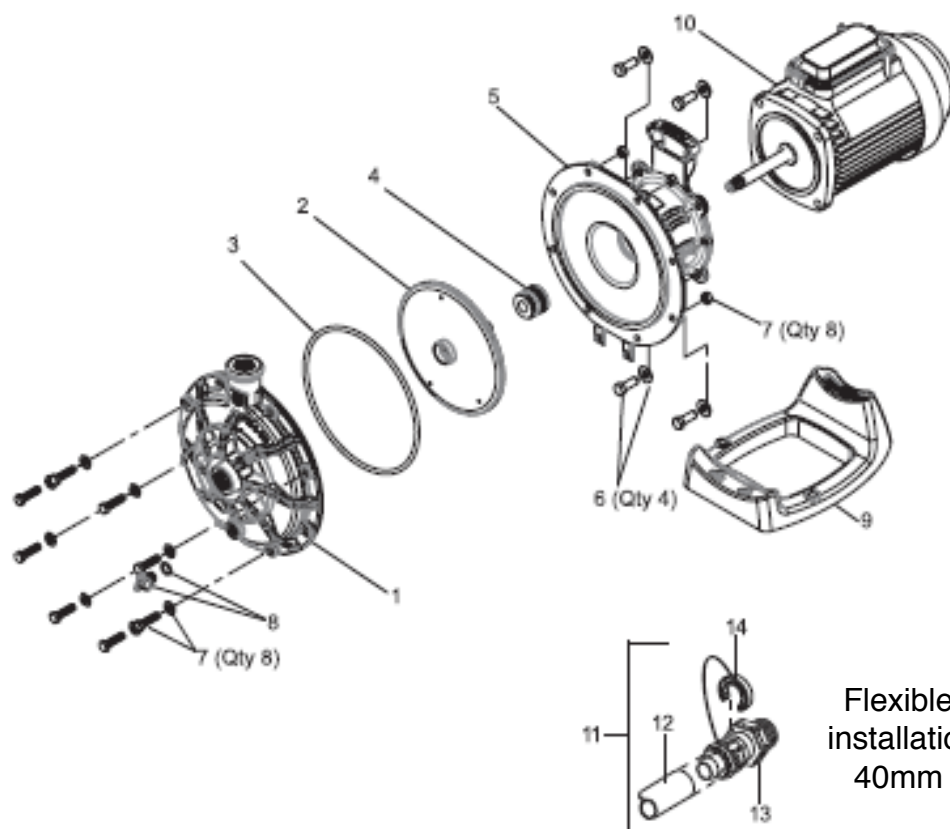


Model	Distance from pump (Metres)	Sound Pressure (dba)
Polaris PB4-50B Part No. W4320000B 	0.90	57.7
	1.80	54.7
	2.70	52.9
	3.60	51.7
	4.50	50.7

Plumbing Recommendation

Schematic





Flexible plumbing installations only for 40mm plumbing

Polaris Booster Pump – Complete Unit: Part No. W4320000B

Item No.	Qty	Part Number	Description
1	1	A0187500	Volute, PB4-50B
2	1	A0186700	Impeller, PB4-50B
3	1	WS0137300	O-Ring, Bracket Adaptor
4	1	WA0580502	Mechanical Ceramic Seal
5	1	WR0520700	Seal Plate/Bracket, PB4-50B
6	4	W0446700	Bolt, Stainless, Bracket to Motor w / washers
7	8	WR0520800	Bolt/Nut, Stainless, Volute to Bracket
8	1	A0186300	Drain Plug w / O-ring, PB4-50B
9	1	A0187000	Pump Stand Base, PB4-50B
10	1	B0022000	Motor, Threaded Shaft, PB4-50B
11	1	W4230007	1.8 m Pump Hose with Softube Quick Connects & Retainers
12	1	W4230009	1.8 m Pump Hose only
13	4	W4230023	Softube Quick Connects (Pack 4)
14	4	W4230029	Softube Quick Connect – Retainers (Pack 4)
	1	W4230025	PB4-50B – Complete Plumbing Kit for 40mm (includes 2 x 40mm to 20mm Reducers)